

## DIMENSIONES DE LOS PATINES RG / QR

### DIMENSIONES DE RGH / QRH

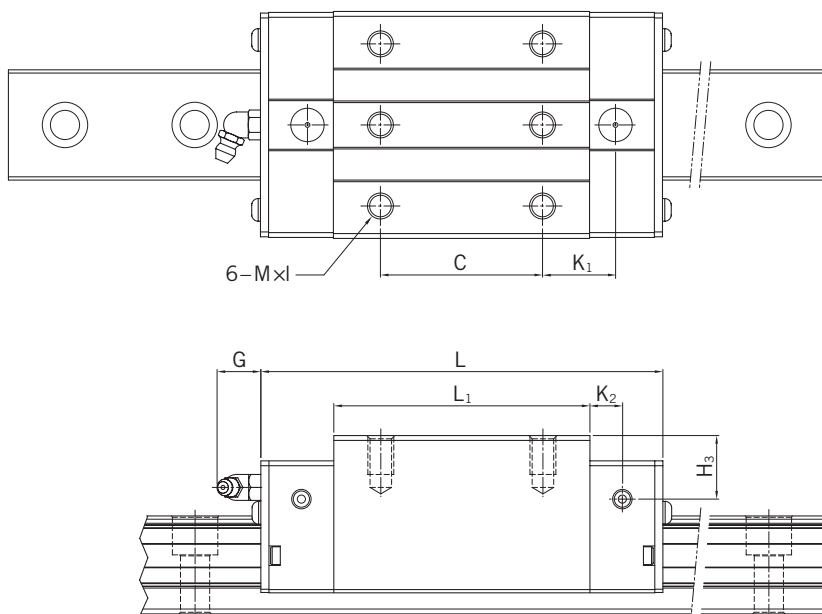


Tabla 3.97 **DIMENSIONES DEL PATÍN**

Series / tamaño	Dimensiones instalación (mm)			Dimensiones del patín (mm)													Capacidades de carga (N)		Peso (kg)
	H	H <sub>1</sub>	N	W	B	B <sub>1</sub>	C	L <sub>1</sub>	L	K <sub>1</sub>	K <sub>2</sub>	G	M × I	T	H <sub>2</sub>	H <sub>3</sub>	C <sub>dyn</sub>	C <sub>0</sub>	
RGH15CA	28	4,0	9,5	34	26	4,0	26	45,0	68,0	13,40	4,70	5,3	M4 × 8	6,0	7,6	10,1	11.300	24.000	0,20
RGH20CA	34	5,0	12,0	44	32	6,0	36	57,5	86,0	15,80	6,00	5,3	M5 × 8	8,0	8,3	8,3	21.300	46.700	0,40
RGH20HA							50	77,5	106,0	18,80							26.900	63.000	0,53
RGH25CA	40	5,5	12,5	48	35	6,5	35	64,5	97,9	20,75	7,25	12,0	M6 × 8	9,5	10,2	10,0	27.700	57.100	0,61
RGH25HA							50	81,0	114,4	21,50							33.900	73.400	0,75
QRH25CA	40	5,5	12,5	48	35	6,5	35	66,0	9,9	20,75	7,25	12,0	M6 × 8	9,5	10,2	10,0	38.500	54.400	0,60
QRH25HA							50	81,0	112,9	21,50							44.700	65.300	0,74
RGH30CA	45	6,0	16,0	60	40	10,0	40	71,0	109,8	23,50	8,00	12,0	M8 × 10	9,5	9,5	10,3	39.100	82.100	0,90
RGH30HA							60	93,0	131,8	24,50							48.100	105.000	1,16
QRH30CA	45	6,0	16,0	60	40	10,0	40	71,0	109,8	23,50	8,00	12,0	M8 × 10	9,5	9,5	10,3	51.500	73.000	0,89
QRH30HA							60	93,0	131,8	24,50							64.700	95.800	1,15
RGH35CA	55	6,5	18,0	70	50	10,0	50	79,0	124,0	22,50	10,00	12,0	M8 × 12	12,0	16,0	19,6	57.900	105.200	1,57
RGH35HA							72	106,5	151,5	25,25							73.100	142.000	2,06
QRH35CA	55	6,5	18,0	70	50	10,0	50	79,0	124,0	22,50	10,00	12,0	M8 × 12	12,0	16,0	19,6	77.000	94.700	1,56
QRH35HA							72	106,5	151,5	25,25							95.700	126.300	2,04
RGH45CA	70	8,0	20,5	86	60	13,0	60	106,0	153,2	31,00	10,00	12,9	M10 × 17	16,0	20,0	24,0	92.600	178.800	3,18
RGH45HA							80	139,8	187,0	37,90							116.000	230.900	4,13
QRH45CA	70	8,0	20,5	86	60	13,0	60	106,0	153,2	31,00	10,00	12,9	M10 × 17	16,0	20,0	24,0	123.200	156.400	3,16
QRH45HA							80	139,8	187,0	37,90							150.800	208.600	4,10
RGH55CA	80	10,0	23,5	100	75	12,5	75	125,5	183,7	37,75	12,50	12,9	M12 × 18	17,5	22,0	27,5	130.500	252.000	4,89
RGH55HA							95	173,8	232,0	51,90							167.800	348.000	6,68
RGH65CA	90	12,0	31,5	126	76	25,0	70	160,0	232,0	60,80	15,80	12,9	M16 × 20	25,0	15,0	15,0	213.000	411.600	8,89
RGH65HA							120	223,0	295,0	67,30							275.300	572.700	12,13

Para las dimensiones del raíl, véase la pág. 93; para adaptadores de lubricación estándar y opcional, véase pág. 108.