

DIMENSIONES DE LOS PATINES EG / QE

DIMENSIONES DE EGH / QEH

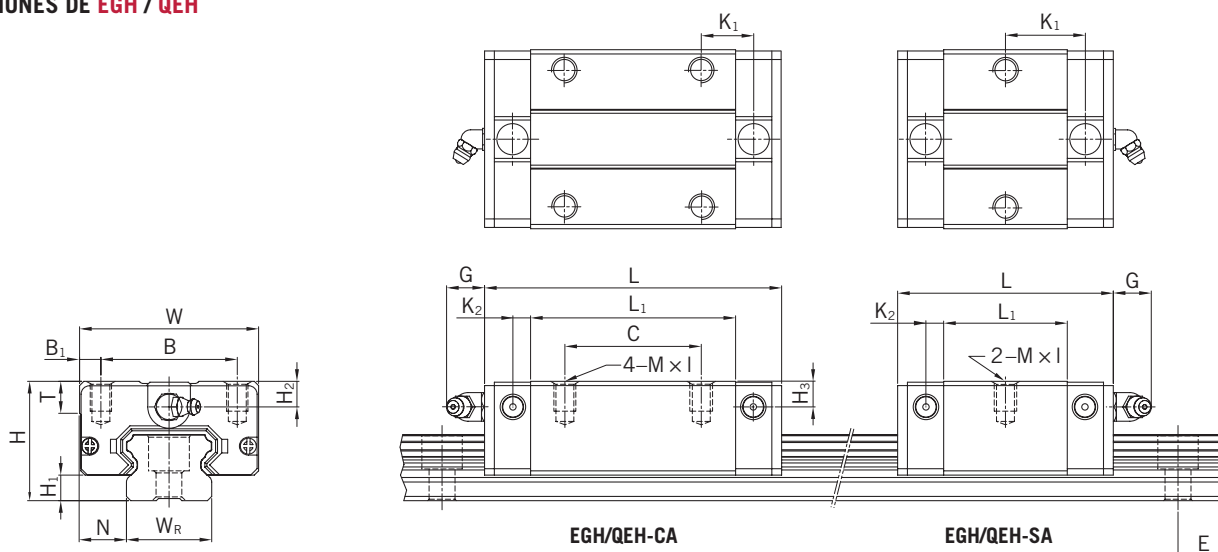


Tabla 3.27 DIMENSIONES DEL PATÍN

Series / tamaño	Dimensiones instalación (mm)			Dimensiones del patín (mm)													Capacidades de carga (N)		Peso (kg)
	H	H ₁	N	W	B	B ₁	C	L ₁	L	K ₁	K ₂	G	M × I	T	H ₂	H ₃	C _{dyn}	C ₀	
EGH15SA	24	4,5	9,5	34	26	4,0	-	23,1	40,1	14,80	3,50	5,7	M4 × 6	6,0	5,5	6,0	5.350	9.400	0,09
EGH15CA							26	39,8	56,8	10,15							7.830	16.190	0,15
QEH15SA	24	4,0	9,5	34	26	4,0	-	23,1	40,1	14,80	3,50	5,7	M4 × 6	6,0	5,5	6,0	8.560	8.790	0,09
QEH15CA							26	39,8	56,8	10,15							12.530	15.280	0,15
EGH20SA	28	6,0	11,0	42	32	5,0	-	29,0	50,0	18,75	4,15	12,0	M5 × 7	7,5	6,0	6,0	7.230	12.740	0,15
EGH20CA							32	48,1	69,1	12,30							10.310	21.130	0,24
QEH20SA	28	6,0	11,0	42	32	5,0	-	29,0	50,0	18,75	4,15	12,0	M5 × 7	7,5	6,0	6,5	11.570	12.180	0,15
QEH20CA							32	48,1	69,1	12,30							16.500	20.210	0,23
EGH25SA	33	7,0	12,5	48	35	6,5	-	35,5	59,1	21,90	4,55	12,0	M6 × 9	8,0	8,0	8,0	11.400	19.500	0,25
EGH25CA							35	59,0	82,6	16,15							16.270	32.400	0,41
QEH25SA	33	6,2	12,5	48	35	6,5	-	35,5	60,1	21,90	5,00	12,0	M6 × 9	8,0	8,0	8,0	18.240	18.900	0,24
QEH25CA							35	59,0	83,6	16,15							26.030	31.490	0,40
EGH30SA	42	10,0	16,0	60	40	10,0	-	41,5	69,5	26,75	6,00	12,0	M8 × 12	9,0	8,0	9,0	16.420	28.100	0,45
EGH30CA							40	70,1	98,1	21,05							23.700	47.460	0,76
QEH30SA	42	10,0	16,0	60	40	10,0	-	41,5	67,5	25,75	6,00	12,0	M8 × 12	9,0	8,0	9,0	26.270	27.820	0,44
QEH30CA							40	70,1	96,1	20,05							37.920	46.630	0,75
EGH35SA	48	11,0	18,0	70	50	10,0	-	45,0	75,0	28,50	7,00	12,0	M8 × 12	10,0	8,5	8,5	22.660	37.380	0,74
EGH35CA							50	78,0	108,0	20,00							33.350	64.840	1,10
QEH35SA	48	11,0	18,0	70	50	10,0	-	51,0	76,0	30,30	6,25	12,0	M8 × 12	10,0	8,5	8,5	36.390	36.430	0,58
QEH35CA							50	83,0	108,0	21,30							51.180	59.280	0,90

Para las dimensiones del rail, véase la pág. 45; para adaptadores de lubricación estándar y opcional, véase pág. 108.