

MAIN FEATURES

Rope encoder series with Dyneema rope available for lengths up to 4 m.
The applied encoder could be incremental or absolute.
Perfectly suitable also for harsh environments, thanks to its high mechanical strength.
It can be used in wide range of applications such as: vertical storehouses, presses, extruders, etc.



ORDERING CODE

FE 1500 A - EH30

SERIES	rope encoder for linear measures FE
WORKING STROKE	1,5 m 1500 4 m 4000
TYPE OF ROPE END	eyelet A
ENCODER FLANGE MODEL	EH30 EL/ER53 EAM53

The encoder applied to the FE model must be ordered separately. The F letter must be placed before the ordering code.

- Example:
- 1) encoder model EH 30 M ordering code: FEH30M300S5/28P6X6PR
 - 2) encoder model EL 53 B ordering code: FEL53B1100S5/28P6X3MR
 - 3) encoder model EAMR 53 B ordering code: FEAMR53B12/13G8/30SX6XM12R
 - 4) encoder model EAML 53 B ordering code: FEAML53B16B12/30V010X6M12R

Complete ordering code example:
FE1500A-EH30
FEH30M1024S5/28P6X6PR

MECHANICAL SPECIFICATIONS

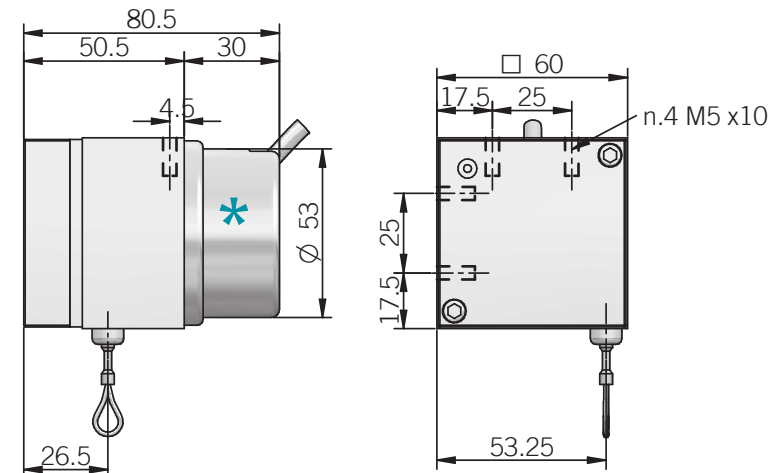
Model	FE 1500	FE 4000
Linearity error	± 0,75 mm	± 2 mm
Drum circumference	120 mm	220 mm
Max speed	0,85 m/s	
Pull-out force required	≥ 9 N	
Enclosure rating	depends on encoder IP	
Shock	50 G, 11 ms (IEC 60068-2-27)	
Vibration	10 G, 10 ... 2000 Hz (IEC 60068-2-6)	
Housing material	painted aluminum	
Rope material	Dyneema®	
Operating temperature	-10° ... +60°C (+14° ... +140°F)	
Storage temperature	-25° ... +70°C (-13° ... +158°F)	
Weight	500 g (17,64 oz) mod. 1500	1100 g (38,80 oz) mod. 4000

For encoder specifications, refer to single product datasheet :

- FEH 30 M see EH 30 M - EH 30 MH encoder
- FEL 53 B see EL - ER 53 encoder
- FEAMR 53 B see EAMR 58 - 63 solid shaft encoder
- FEAML 53 B see EAML 58 - 63 solid shaft encoder

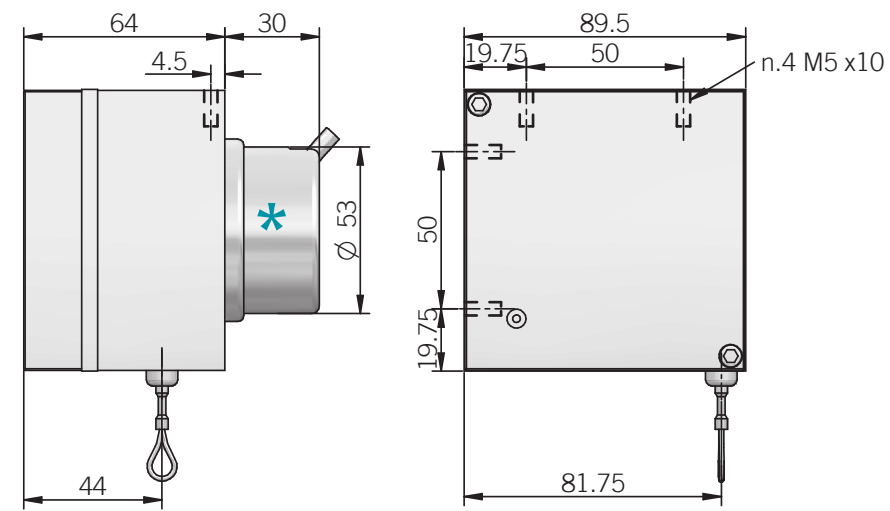
Mechanical resolution [mm] = Drum circumference [mm] / Encoder pulses [ppr o singleturn resolution]

FE 1500



* dimensions with EH30M encoder

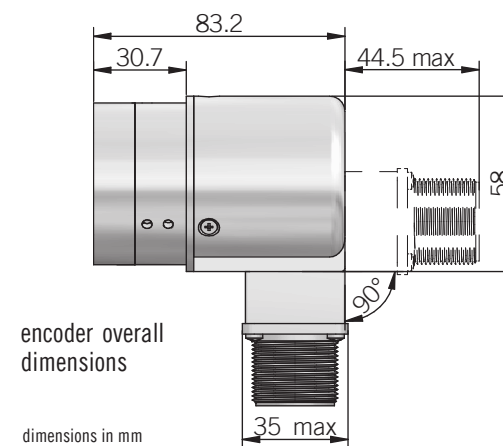
FE 4000



* dimensions with EH30M encoder

FEL 53 B

* incremental encoder application

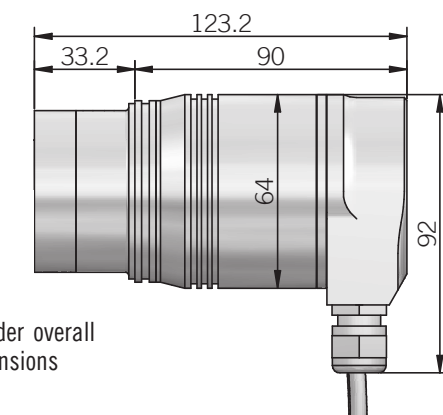


encoder overall dimensions

dimensions in mm

FEAM 53 B

* multiturn absolute encoder application



encoder overall dimensions