

MAIN FEATURES

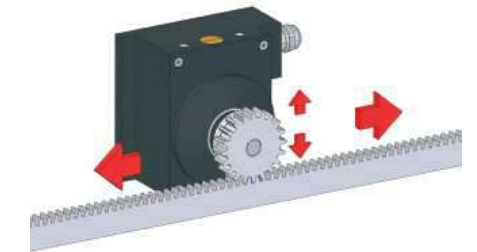
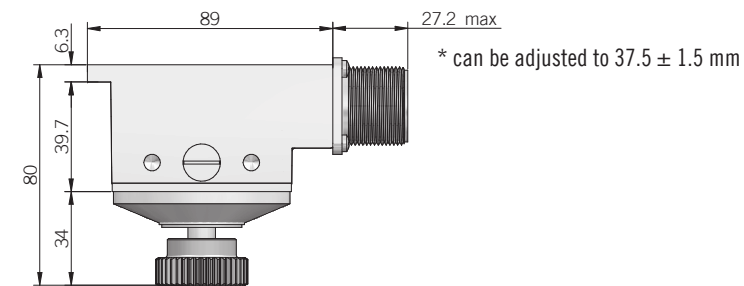
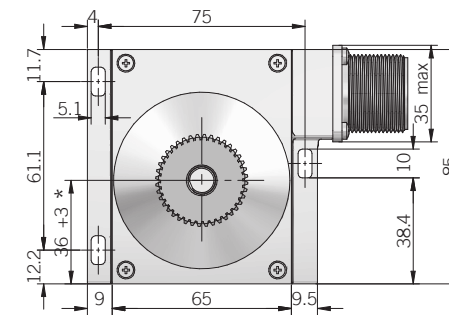
Encoder for rack with automatic slack recovery. If compared to an incremental linear system, this type of encoder extremely simplifies linear measurements and overcomes measurement problems on long distance.

Encoder is sealed in a solid aluminium body and integrate a preloading system that allows automatic slack recovery between rack and pinion.

- 3 channel encoder (A / B / Z) up to 2500 ppr
- Power supply up to +30 V DC with several electrical interfaces available
- Up to 220 kHz output frequency
- Cable or connector output



34A



for rack and cogged wheel please refer to Accessories

dimensions in mm

ORDERING CODE

EC	34A	500	S	5/28	P	10	M	.162	+XXX
SERIES encoder for rack EC	MODEL flange 34A	RESOLUTION ppr 100 ... 2500 refer to the available pulses list	ZERO PULSE without zero pulse S with zero pulse Z	POWER SUPPLY (with L electrical interface) 5 V DC 5 5 ... 28 V DC 5/28	ELECTRICAL INTERFACE NPN open collector C push-pull P line driver L power supply 5/28V - output RS-422 RS	SHAFT DIAMETER mm 10	OUTPUT TYPE cable (standard length 1,5 m) P preferred cable lengths 2 / 3 / 5 / 10 m, to be added after output type MIL male connector M JIS-C-5432 male connector J	MATING CONNECTOR mating connector not included .162 to be reported only with connector output (eg. M.162), for mating connector see Accessories	VARIANT custom version XXX

ELECTRICAL SPECIFICATIONS

Resolution	from 100 to 2500 ppr
Power supply¹	5 = 4,5 ... 5,5 V DC 5/28 = 4,5 ... 30 V DC (reverse polarity protection)
Current consumption without load	100 mA max
Max load current	C / P = 50 mA / channel L / RS = 20 mA / channel
Electrical interface²	NPN open collector (AEIC-7273, pull-up max +30 V DC) push-pull / line driver HTL (AEIC-7272) line driver RS-422 (AELT-5000 or equivalent)
Max output frequency	220 kHz
Counting direction	A leads B clockwise (shaft view)
Electromagnetic compatibility	according to 2014/30/EU directive
RoHS	according to 2011/65/EU (01/09/2020) directive
UL / CSA	certificate n. E212495

¹ as measured at the transducer without cable influences
² for further details refer to OUTPUT LEVELS on TECHNICAL BASICS section
³ maximum load for static usage
⁴ measured on the transducer flange
⁵ condensation not allowed

MECHANICAL SPECIFICATIONS

Shaft diameter	∅ 10 mm
Enclosure rating	IP 64 (IEC 60529)
Max rotation speed	3000 rpm
Max shaft load³	200 N axial / radial
Shock	50 G, 11 ms (IEC 60068-2-27)
Vibration	10 G, 10 ... 2000 Hz (IEC 60068-2-6)
Starting torque (at +20°C / +68°F)	< 0,06 Nm (8,50 Ozin)
Housing material	painted aluminum
Shaft material	1.4305 / AISI 303 stainless steel
Bearings	n.2 ball bearings
Bearings life	10 ⁹ revolutions
Operating temperature^{4,5}	-20° ... +70°C (-4° ... +158°F)
Storage temperature⁵	-25° ... +70°C (-4° ... +158°F)
Weight	700 g (24,69 oz)

RESOLUTIONS

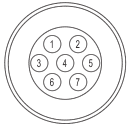
100 - 200 - 300 - 360 - 400 - **500** - 512 - 600 - 720 - **1000** - 1024 - 1200 - 1440 - **2000** - 2048 - 2500

please directly contact our offices for other pulses, preferred resolutions in bold

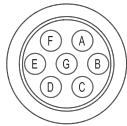
CONNECTIONS

Function	Cable C / P	Cable L / RS	7 pin J C / P	7 pin J L / RS no Zero	7 pin M C / P	7 pin M L / RS no Zero	10 pin J L / RS with Zero	10 pin M L / RS with Zero
+V DC	red	red	6	4	F	D	4 - 5	D - E
0 V	black	black	1	6	A	F	6	F
A+	green	green	3	1	C	A	1	A
A-	/	brown or grey	/	3	/	C	7	G
B+	yellow	yellow	5	2	E	B	2	B
B-	/	orange	/	5	/	E	8	H
Z+	blue	blue	4	/	D	/	3	C
Z-	/	white	/	/	/	/	9	I
⏏	shield	shield	7	7	G	G	10	J

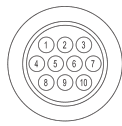
J connector (7 pin)
JIS-C-5432 Size 16
solder side view FV



M connector (7 pin)
Amphenol MS3102-E-16-S
solder side view FV



J connector (10 pin)
JIS-C-5432 Size 16
solder side view FV



M connector (10 pin)
Amphenol MS3102-E-18-1
solder side view FV

