

EA 63 AX / DX SSI

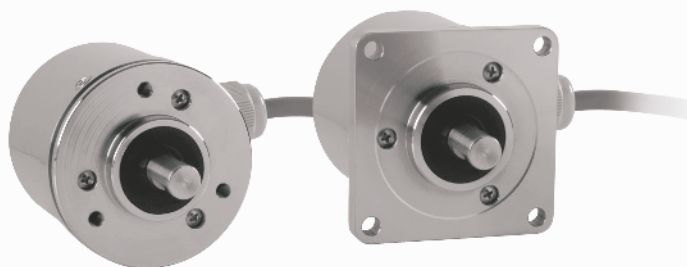
STAINLESS STEEL
SINGLETURN ABSOLUTE ENCODERS



MAIN FEATURES

Thanks to the stainless steel enclosure, the encoder is suitable for food and beverage machinery, cranes and winches for ships, offshore applications, washing systems and all those environments where high corrosion resistance is required. EA 63 AX / DX is available with SSI output.

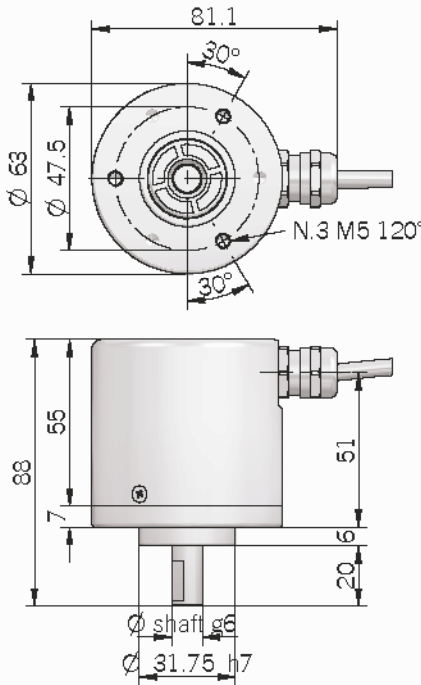
- Up to 13 bit
- Up to IP 66 sealing



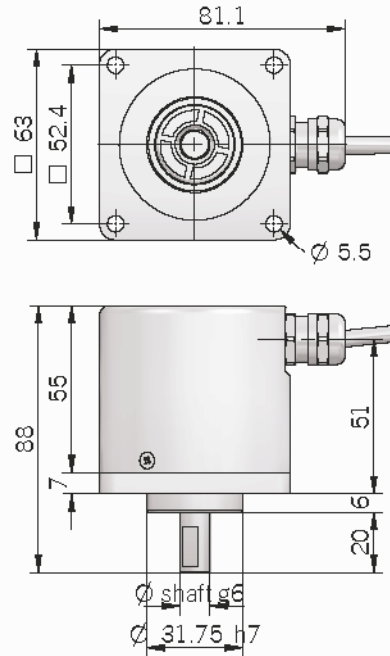
ORDERING CODE

EA	63	AX	1024	B	5	S	X	X	6	S	3	PC	R	.	XXX
SERIES singleturn absolute encoder EA														VARIANT XXX custom version	
SIZE mm 63														OUTPUT DIRECTION R radial	
TYPE synchronous flange \varnothing 31.75 mm AX centering square flange \varnothing 31.75 mm DX														OUTPUT TYPE PC cable output (standard length 1.5 m)	
RESOLUTION (powers of 2) ppr from 2 to 8192 (multiples and submultiples of 360) ppr from 90 to 3600 (multiples and submultiples of 1000) ppr from 250 to 4000														MAX ROTATION SPEED 3 3000 rpm	
<i>N.B.: please directly contact our offices for pulses availability</i>														ENCLOSURE RATING S IP 66	
CODE TYPE Binary B Gray G														SHAFT DIAMETER 6 mm 8 mm 9 mm (9.52 mm 3/8") 10 mm	
POWER SUPPLY 5 V DC 5 8 ... 28 V DC 8/28														OPTION X to be reported if not used ZE code reset	
OUTPUT TYPE SSI S														LOGIC X unused option	

EA 63 AX



EA 63 DX



Electrical specifications

Resolution	from 2 to 8192
Power supply	5 V DC \pm 10% 8 ... 28 V DC \pm 5%
Current consumption without load	100 mA
Electronic interface	RS422 SSI
Auxiliary inputs (U/D - Latch - Reset)	active high (+Vdc) <i>connect to 0V if not used / Reset t_{min} 150 ms</i>
Max output frequency	100 kHz ... 1MHz SSI
SSI monostable time (T_m)	18 μ s
SSI pause time (T_p)	> 35 μ s
Accuracy	\pm 1/2 LSB
Counting direction	decreasing clockwise (shaft view)
Start-up time	150 ms
Electromagnetic compatibility	IEC 61000-6-2 IEC 61000-6-4

Mechanical specifications

Shaft diameter (mm)	6 / 8 / 9.52 (3/8") / 10
Max rotation speed	3000 rpm
Max shaft load	10 N (1 Kp) axial with ϕ 6 shaft 20 N (2 Kp) radial with ϕ 6 shaft 100 N (10 Kp) axial 100 N (10 Kp) radial
Shock	50 G, 11 ms (IEC 60068-2-27)
Vibrations	10 G, 10 ... 2000 Hz (IEC 60068-2-6)
Bearings life	10^9 revolutions
Bearings	n° 2 ball bearings
Shaft material	1.4305 / AISI 303 stainless steel
Body material	1.4305 / AISI 303 stainless steel
Housing material	1.4305 / AISI 303 stainless steel
Enclosure rating	IP 66 (IEC 60529)
Operating temperature	0° ... +60 °C
Storage temperature	-15° ... +70 °C
Weight	650 g

Output connections for SSI encoder

Function	Cable colours
+ Vdc	red
0 Volt	black
U/D	red-blue
data +	green
data -	brown
clock +	yellow
clock -	orange
RESET	white