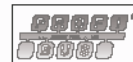


EA 63 AX / DX PROFIBUS

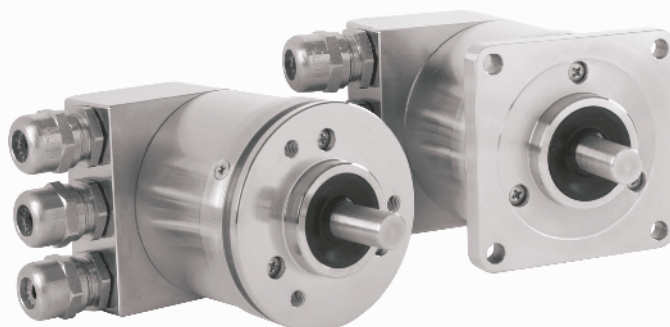
STAINLESS STEEL
SINGLETURN ABSOLUTE ENCODERS



MAIN FEATURES

Thanks to the stainless steel enclosure, the encoder is suitable for food and beverage machinery, cranes and winches for ships, offshore applications, washing systems and all those environments where high corrosion resistance is required.

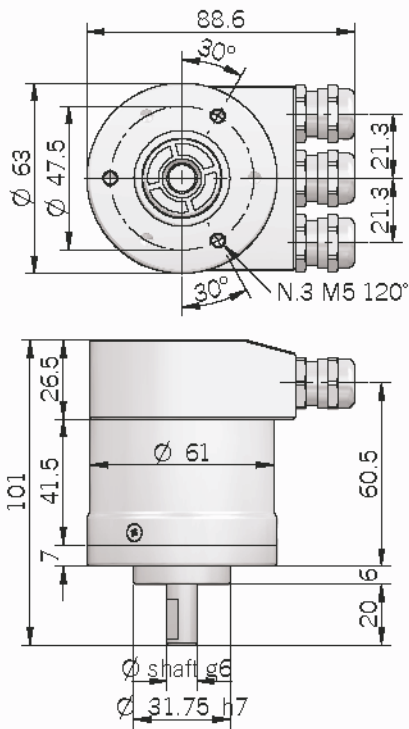
- Up to 13 bit
- Up to IP 66 sealing



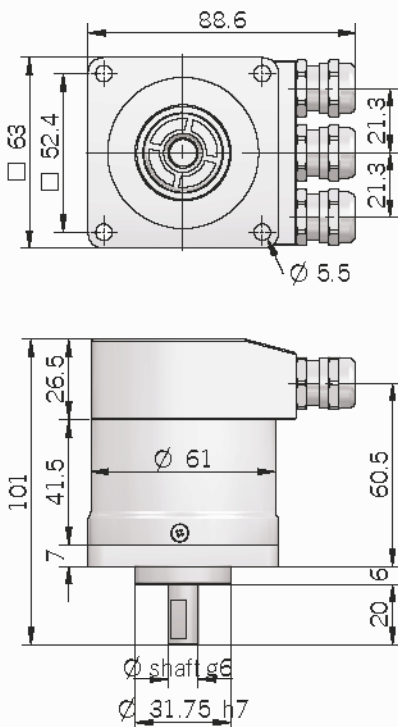
ORDERING CODE

EA	63	AX	1024	B	12/28	F	X	X	6	S	3	P3	R	.	XXX
														SERIES	VARIANT
singleturn absolute encoder EA														XXX	custom version
														SIZE	OUTPUT DIRECTION
mm 63														R	radial
														TYPE	OUTPUT TYPE
synchronous flange \varnothing 31.75 mm AX														P3	cable glands
centering square flange \varnothing 31.75 mm DX															
														RESOLUTION	MAX ROTATION SPEED
4096 / 8192														3	3000 rpm
<i>N.B.: programmable 2 ... 4096 / 2 ... 8192 during commissioning</i>														ENCLOSURE RATING	
														S	IP 66
														SHAFT DIAMETER	
CODE TYPE														6	mm
binary B														8	mm
														9	mm (9.52 mm 3/8")
														10	mm
														OPTION	
POWER SUPPLY														X	unused option
12 ... 28 V DC 12/28															
														LOGIC	
ELECTRONIC INTERFACE														X	unused option
PROFIBUS DP V0 CLASS 2 F															

EA 63 AX



EA 63 DX



Mechanical specifications

Shaft diameter (mm)	6 / 8 / 9.52 (3/8") / 10
Enclosure rating	IP 66 (IEC 60529)
Max rotation speed	3000 rpm
Max shaft load	10 N (1 Kp) axial with ø6 shaft 20 N (2 Kp) radial with ø6 shaft 100 N (10 Kp) axial 100 N (10 Kp) radial
Shock	50 G, 11 ms (IEC 60068-2-27)
Vibrations	10 G, 10 ... 2000 Hz (IEC 60068-2-6)
Bearings life	10 ⁹ revolutions
Bearings	n° 2 ball bearings
Shaft material	1.4305 / AISI 303 stainless steel
Body / Cover material	1.4305 / AISI 303 stainless steel
Housing material	1.4305 / AISI 303 stainless steel
Flange material	1.4305 / AISI 303 stainless steel
Operating temperature	0° ... +60°C
Storage temperature	-15° ... +70°C
Weight	900 g

Electrical specifications

Resolution	2 ... 4096 / 2 ... 8192 <i>programmable during commissioning</i>
Power supply	12 ... 28 V DC ± 5%
Current consumption without load	300 mA
Electronic interface	RS 485 galvanically isolated
Max bus frequency	12 Mbaud
Diagnostic features	frequency warning position warning / alarm <i>please refer to installation guide for more informations</i>
Response frequency	25 kHz
Accuracy	+/- 1/2 LSB
Counting direction	programmable during commissioning
Start-up time	500 ms
Electromagnetic compatibility	IEC 61000-6-2 IEC 61000-6-4

Output connections for PROFIBUS® DP encoder

Function	S3 connector 5-pin (power supply)	S3 connector 5-pin (line out)	S3 connector 5-pin (line in)
+ Vdc	2		
0 Volt	4		
signal A (out)		2	
signal B (out)		4	
signal A (in)			2
signal B (in)			4