

MAIN CHARACTERISTICS

ø 40 T absolute encoders are specifically designed to be directly mounted on machine tools and they are suitable for being mounted on turrets for tool change (8 or 12 positions). The timing between encoder and turret can be overviewed by a led mounted on the enclosure. According to that it is possible to visualise the position of the first tool making easier and quicker the mounting for the operator.

Main characteristics:

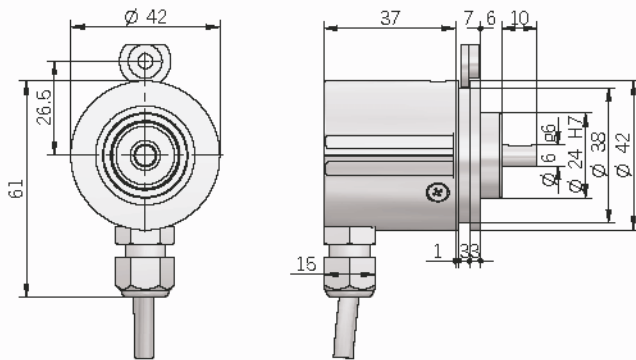
- Easy mechanical mounting
- Several output types available
- 8 and 12 position turn configuration
- IP 66 sealing



ORDERING CODE

EA	40	T	12	B	8/28	R	P	6	S	3	P	R	.	XXX
SERIES													VARIANT	
singleturn absolute encoder EA													XXX custom version	
SIZE													OUTPUT DIRECTION	
mm 40													R radial	
TYPE													OUTPUT TYPE	
synchronous flange ø 24 mm T													P cable output (standard length 0.5 m)	
POSITIONS													MAX ROTATION SPEED	
8													3 3000 rpm	
12													ENCLOSURE RATING	
CODE TYPE													S IP 66	
Binary B													SHAFT DIAMETER	
POWER SUPPLY													8 mm	
5 VDC 5													LOGIC	
8 ... 28 VDC 8/28													N Negative	
ELECTRONIC INTERFACE													P Positive	
NPN N														
NPN OPEN COLLECTOR C														
PNP R														
PNP OPEN COLLECTOR U														

EA 40 T



Electrical specifications

Positions	8 / 12
Power supply	5 V DC 8 ... 28 V DC
Current consumption without load	100 mA max
Max load current	40 mA per channel
Electronic interface	NPN / NPN OPEN COLLECTOR / PNP / PNP OPEN COLLECTOR
Max output frequency	25 kHz output code
Code type	Binary
Counting direction	increasing clockwise (shaft view)
Electromagnetic compatibility	IEC 61000-6-2 IEC 61000-6-4

Mechanical specifications

Shaft diameter	6 mm
Enclosure rating	IP 66 (IEC 60529)
Max rotation speed	3000 rpm
Max shaft load	5N (0.5 Kp) axial 5N (0.5 Kp) radial
Shock	50 G, 11 ms (IEC 60068-2-27)
Vibrations	10 G, 10÷2000 Hz (IEC 60068-2-6)
Bearings	n° 2 ball bearings
Bearings life	10 ⁹ revolutions
Shaft material	1.4305 / AISI 303 stainless steel
Body material	EN-AW 2011 aluminium
Housing material	PA66 reinforced with fiber glass
Operating temperature	0° ... 60 °C
Storage temperature	-15° ... 70 °C
Weight	100 g

Signal configuration

Wire color	WHITE	YELLOW	GREEN	VIOLET	RED	BLACK	BROWN	BLUE
Turn position	bit 1	bit 2	bit 3	bit 4	Parity	Strobe	+Vdc	0 Volt
1	*				*	*		
2		*			*	*		
3	*	*			*	*		
4			*		*	*		
5	*		*		*	*		
6		*	*		*	*		
7	*	*	*		*	*		
8				*	*	*		
9	*			*	*	*		
10		*		*	*	*		
11	*	*		*	*	*		
12			*	*	*	*		

